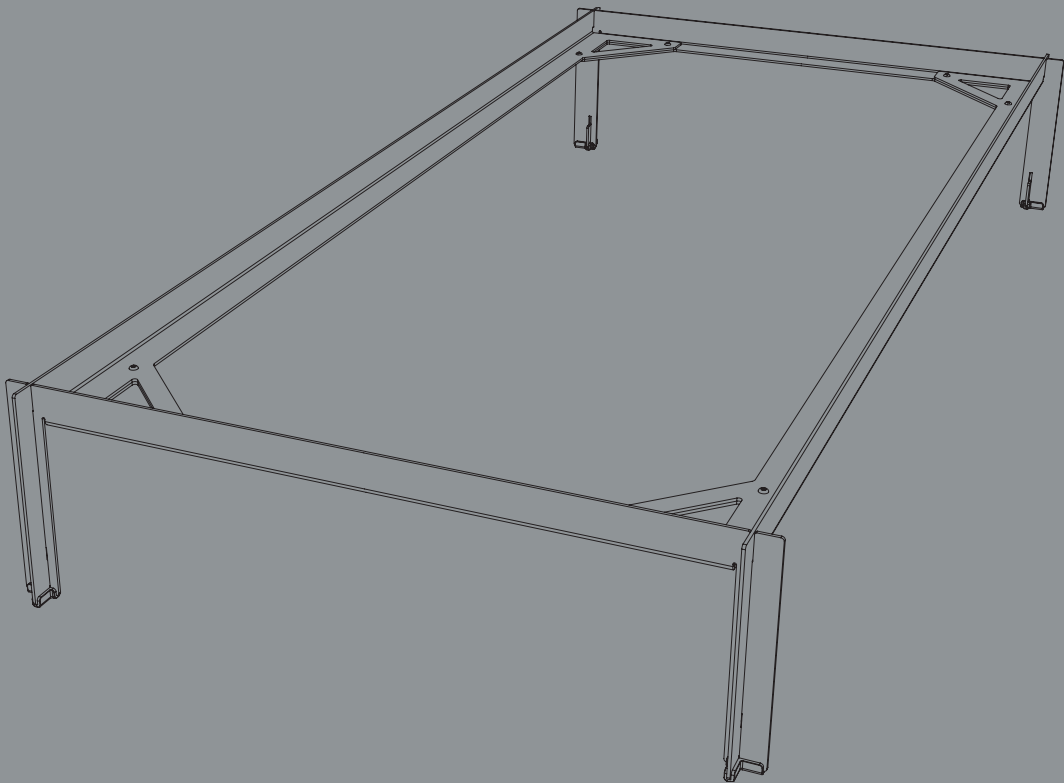


INSTRUCTION MANUAL

CONNECT BED



By *Leif Jørgensen*

HAY

INTRODUCTION

Connect Bed takes the idea of traditional craftsmanship methods combined with the computer-controlled, high-tech tools and processes which have now become commonplace in the contemporary designer's world to create a minimalistic, industrial look. The result is a razor-sharp design with pinpoint precision, simply consisting of four elements: two side rails and two end rails that slot together and are fastened with eight screws. Embedded in the bare frame, the screws become an interesting detail in themselves, with the joints displaying references to conventional carpentry work.

CARE AND MAINTENANCE

CAUTION

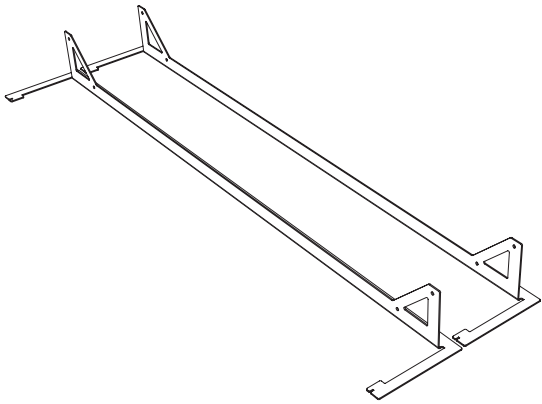
Connect Bed fits standard size mattresses and can be used with either a box mattress or bed slats with mattress.

When you move the bed, make sure to lift it rather than pulling or pushing it, as this may damage the floor, legs and mountings. We recommend that you tighten up the screws on a regular basis.

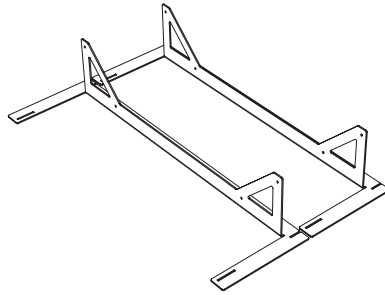
CLEANING

Powder coated steel / Wipe with a damp cloth wrung in a solution of water and a neutral detergent. Remove soap residue immediately using a clean, dry cloth. Avoid using scouring cream or scouring pads, as they may scratch the surface.

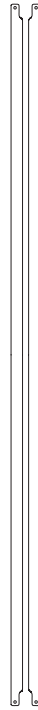
PARTS



A x 2

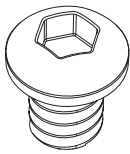


B x 2

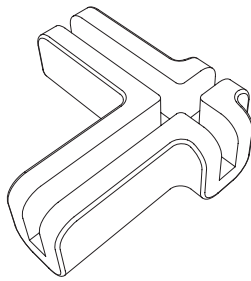


C x 2

(Only with 160x200 and 180x200)



D x 13



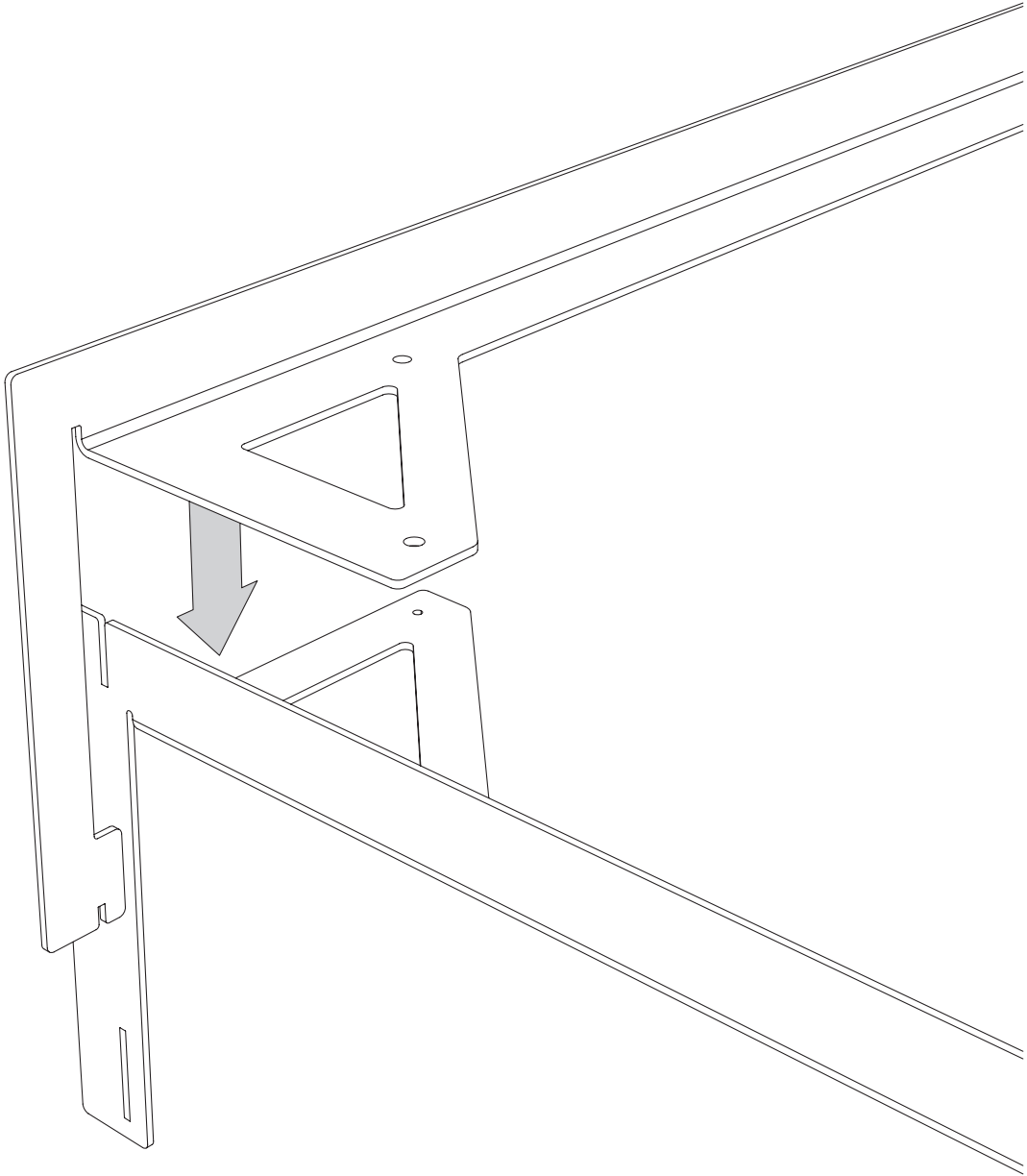
E x 4



Allen key

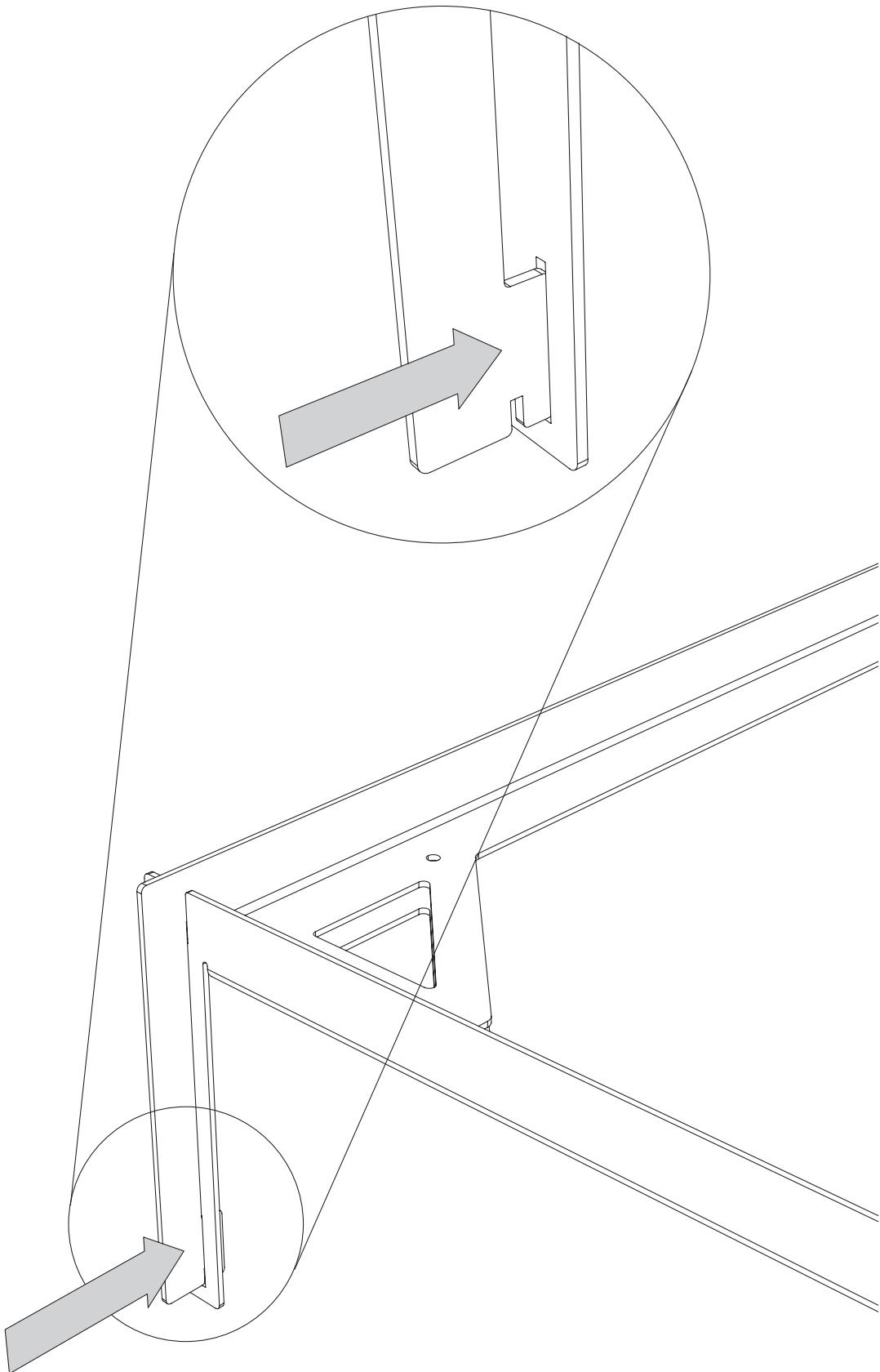
1.

Place profile A's corner on top of profile B's.



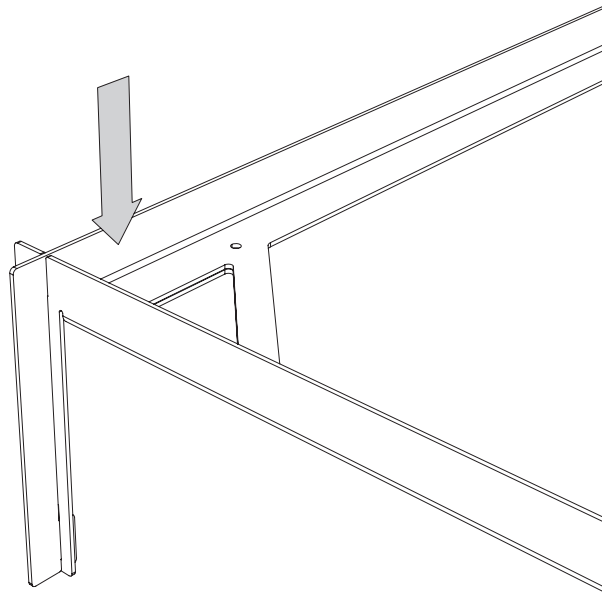
2.

Rotate profile A's leg into the hole in profile B's leg.



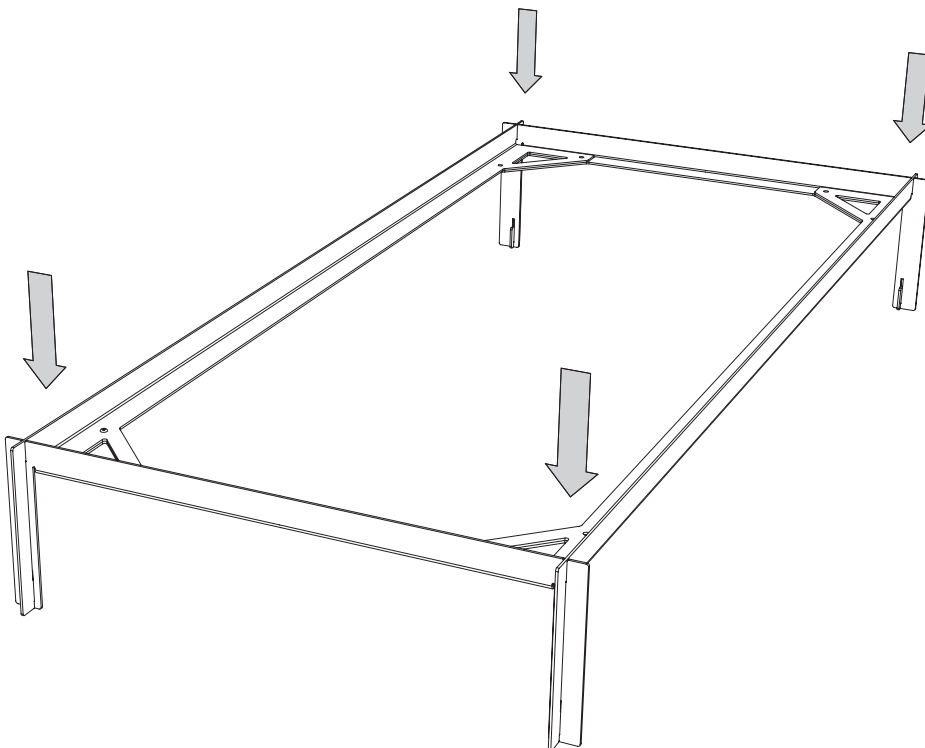
3.

Push down on profile A until the two are flush with each other.



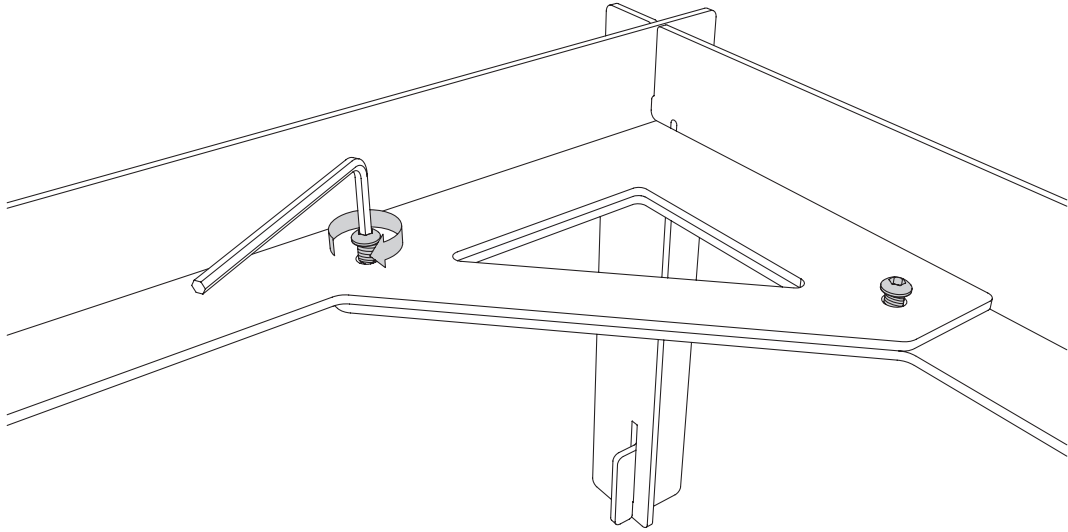
4.

Repeat steps 2 and 3. for all four corners.



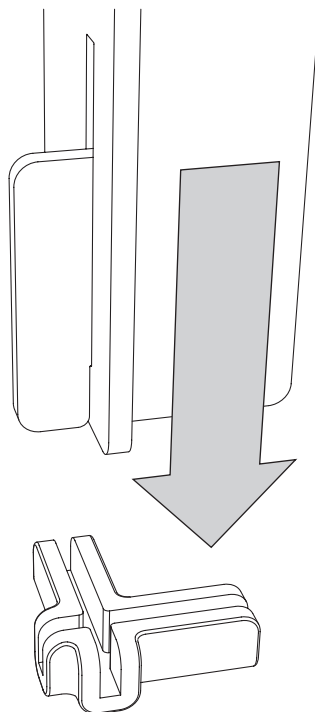
5.

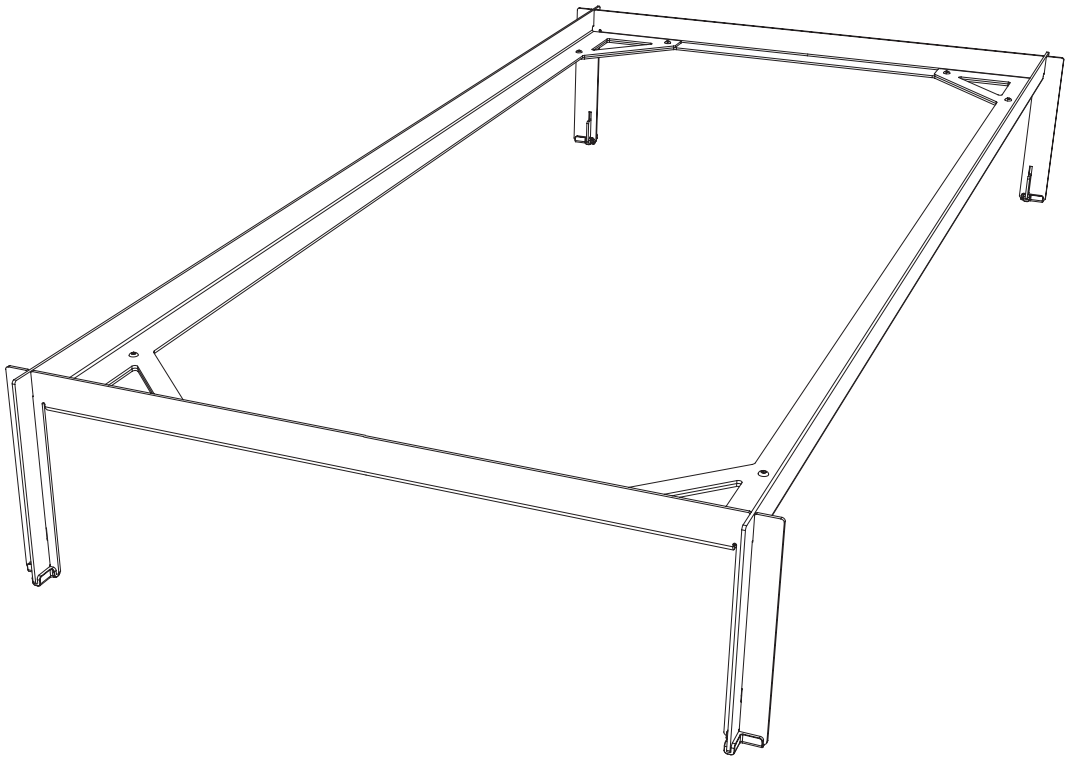
Screw in the screws D with the supplied allen key.
Do not fully tighten each bolt until all parts are assembled in the right position.



6.

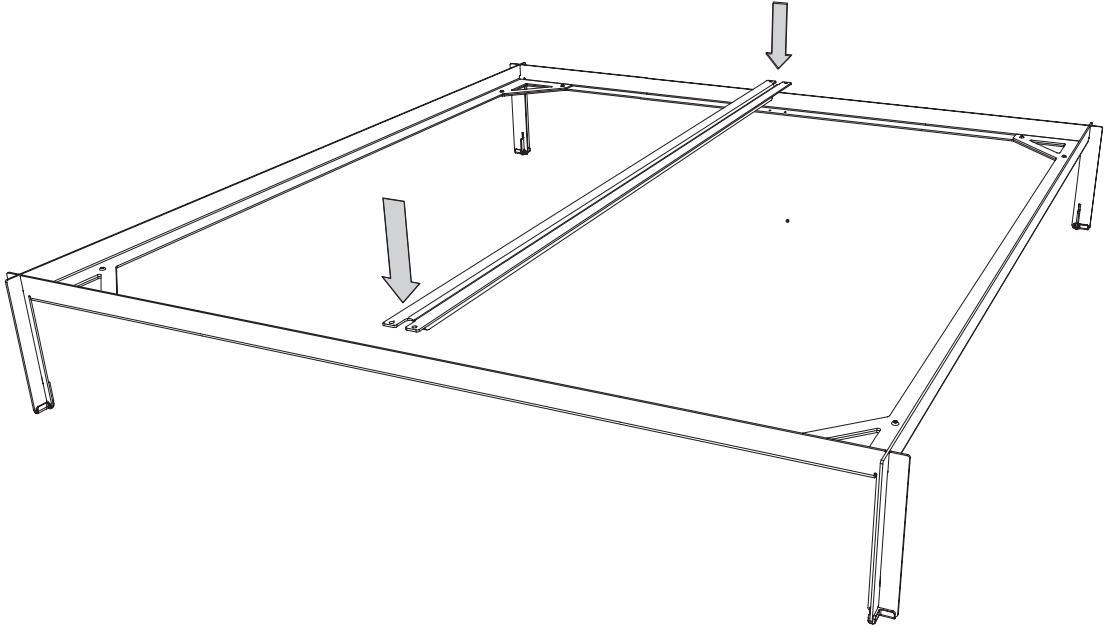
Attach feet E and make sure that the profiles reach all the way down to the bottom





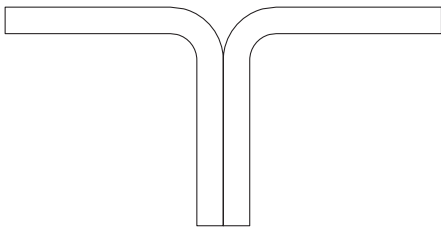
7.

For the 160 x 200 and the 180 x 200 version of the Connect Bed, 2 x support bars C are included.

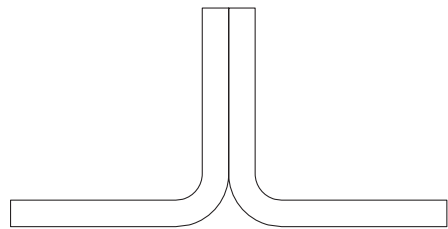


8.

Depending on your mattress, you have two options for placing the 2 x C support bars.



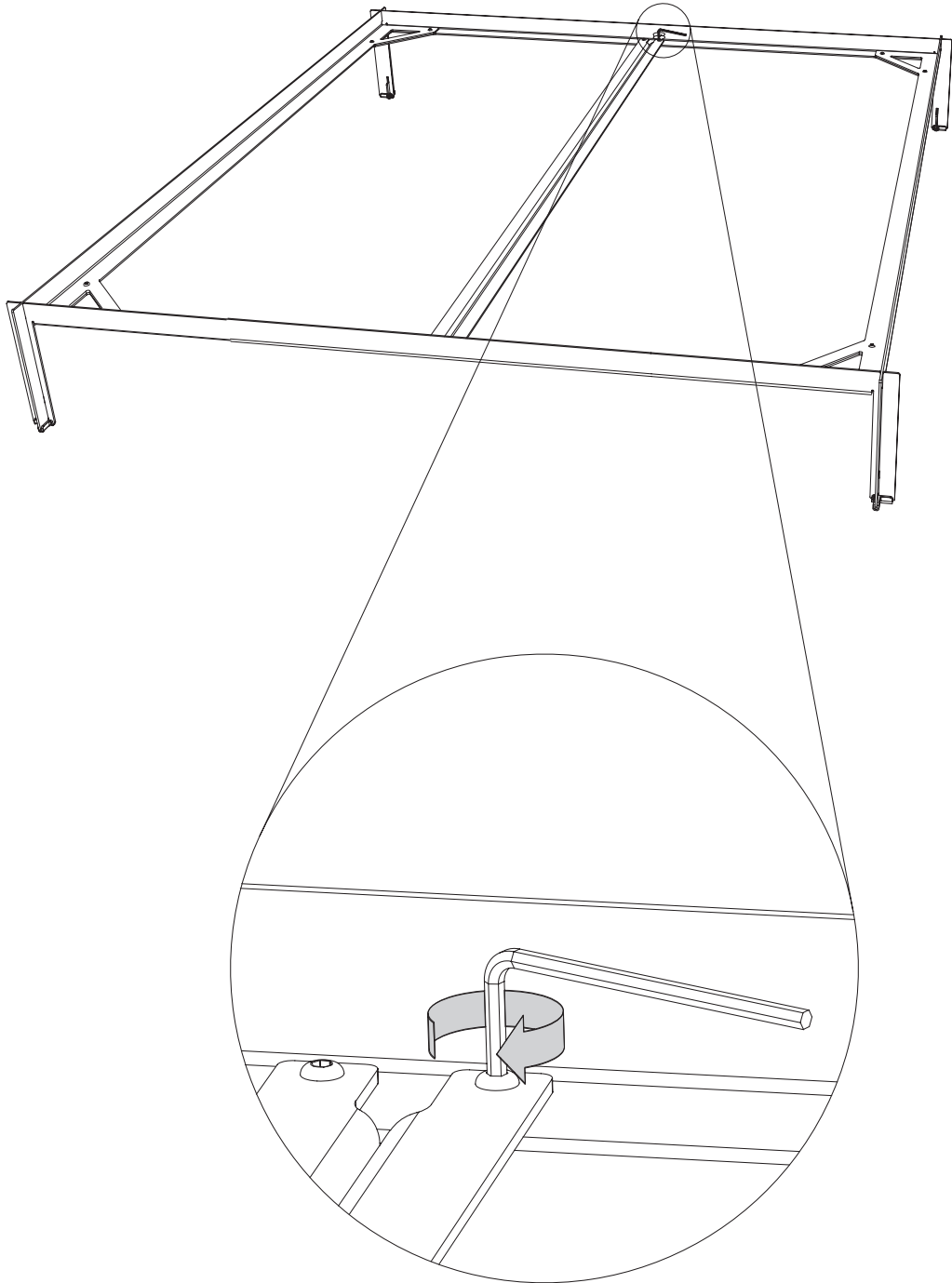
For a single box mattress, place the 2 x support bars C pointing downwards.



For a two-mattress set-up place the 2 x support bars C pointing upwards.

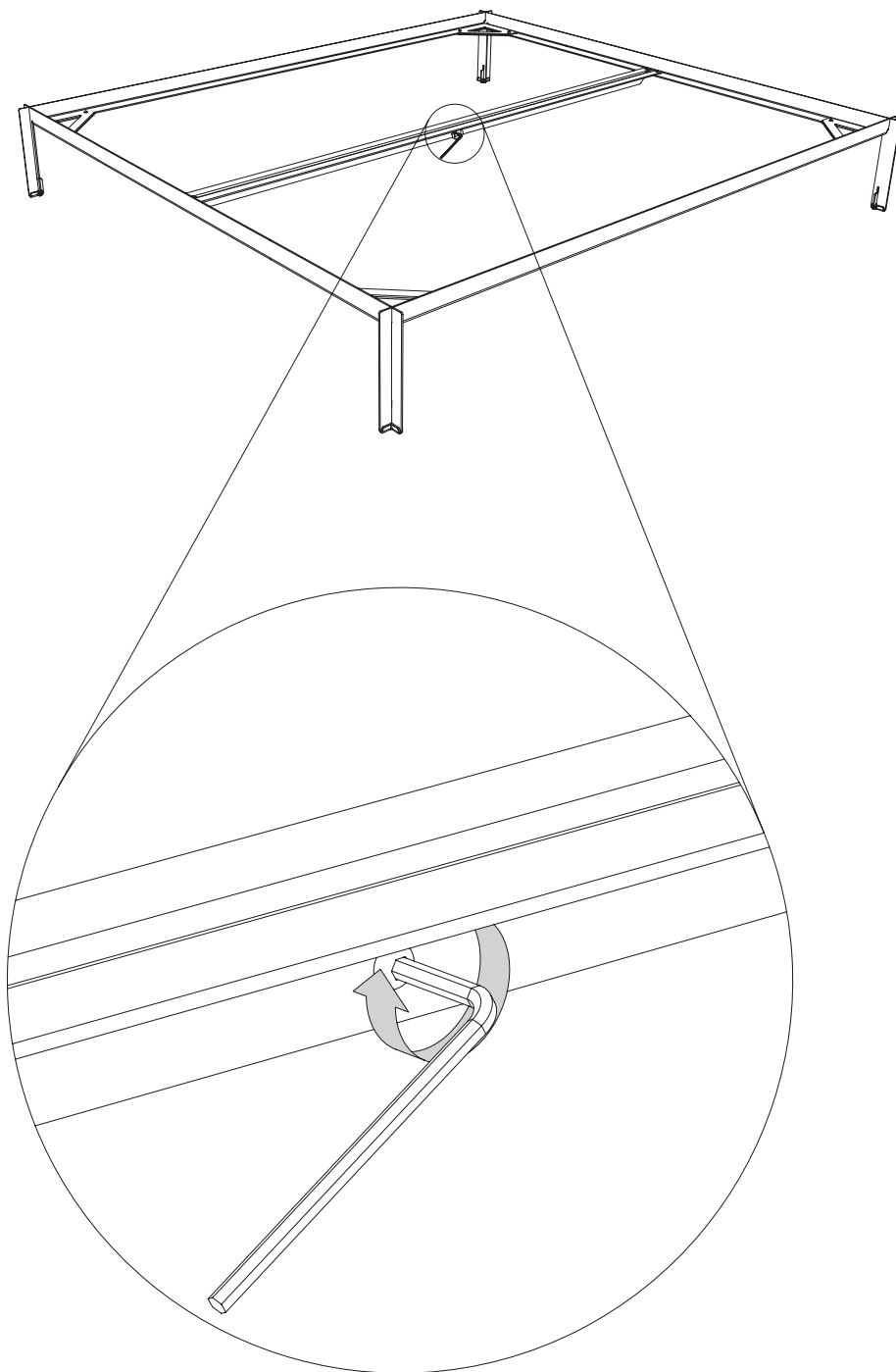
9.

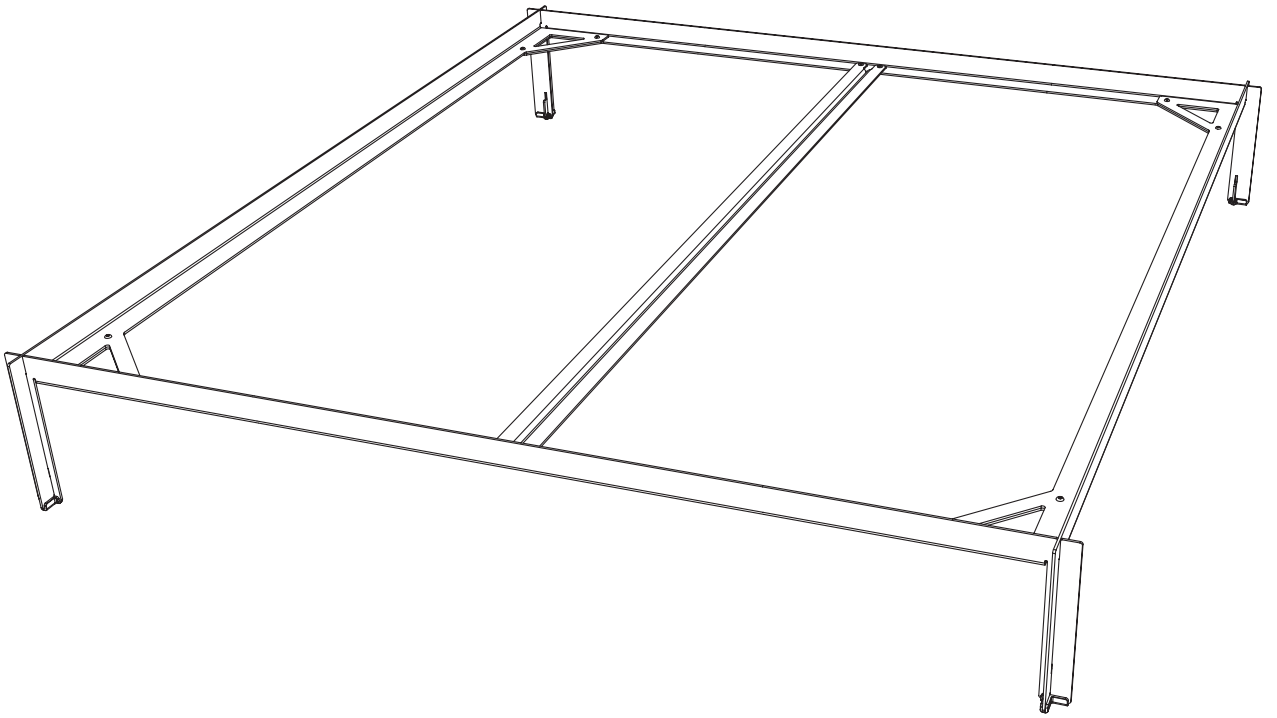
Align the support bars C with the holes in the profiles B and secure them with the screws D, using the supplied allen key.



10.

Connect the 2 x support bars C in the middle using the screw D.





06022020

HAY

ITEM NO. 706343

