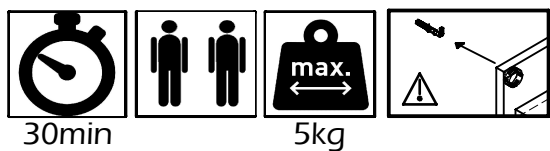
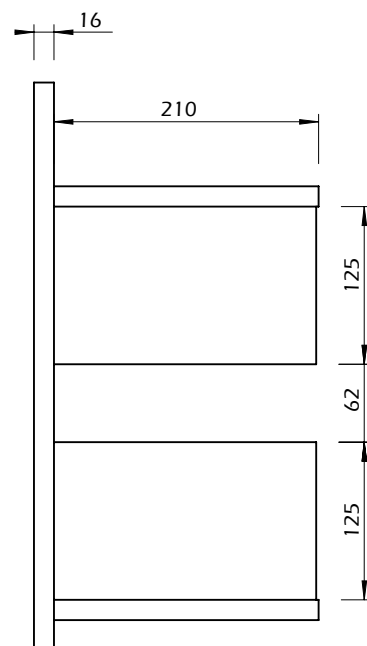
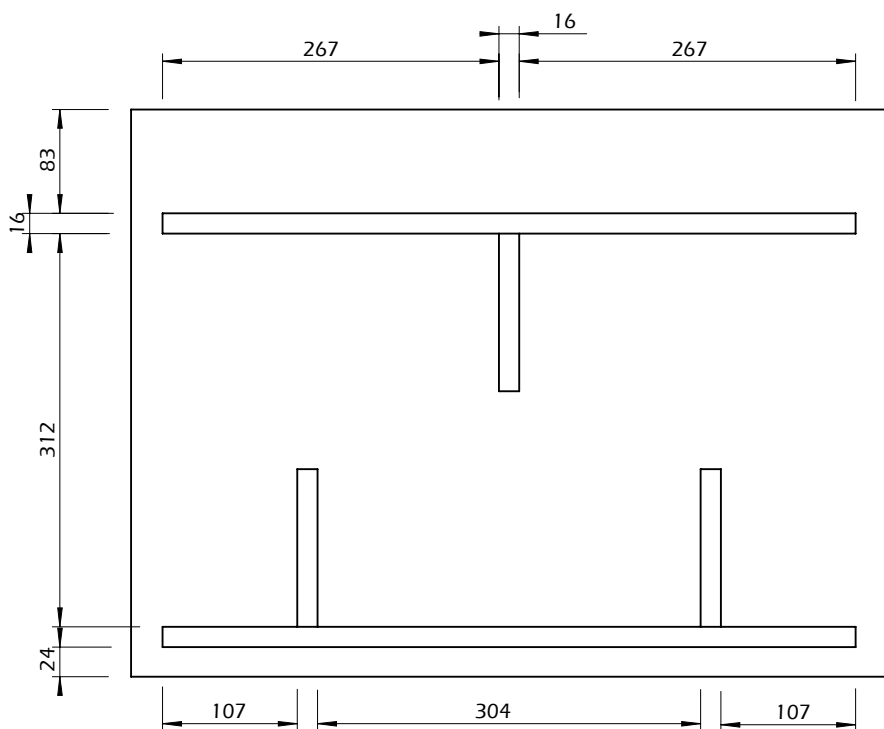
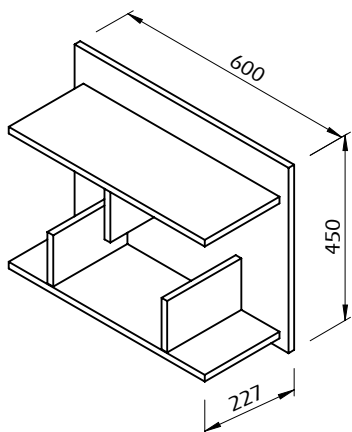


Technical Information

BERN 60



30min

5kg