



---

# MILK NA1

by Norm Architects

---

## ASSEMBLY INSTRUCTIONS

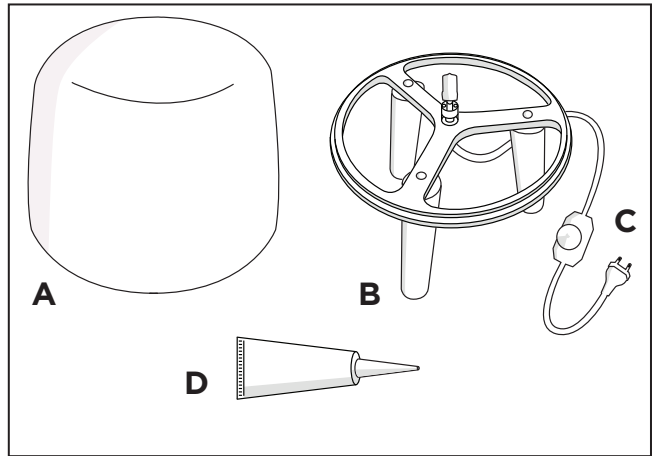
[andtradition.com](http://andtradition.com)

Congratulations with your new MILK table lamp, designed by Norm Architects. We hope you will enjoy using this lamp and follow these instructions to ensure correct installation. If you have any questions or comments, please do not hesitate to contact us by mail on: [info@andtradition.dk](mailto:info@andtradition.dk)

# Contents:

- A** - Glass shade
- B** - Stand and light holder
- C** - 2 meter fabric cord fitted with diffuser switch and two pin plug
- D** - Tube of glue for shade

Bulb Type: G9 - 40W



**Please read these instructions carefully and retain them for future reference to ensure that the lamp is correctly installed should it be moved or sold. For your own safety, please study each step of this instruction manual before you commence installation. &Tradition are not responsible for any faults or damages caused by not following these instructions correctly. Do not modify this lamp in any way.**

## Installation Suggestions:

MILK lamp's adjustable light can help to create the right mood in any room. You can place this lamp on a high shelf or the floor to achieve different lighting effects. Several lamps set at different light brightness can also be combined in larger rooms. Visit our website for more inspiration:

[www.andtradition.com](http://www.andtradition.com)

## Cleaning Instructions:

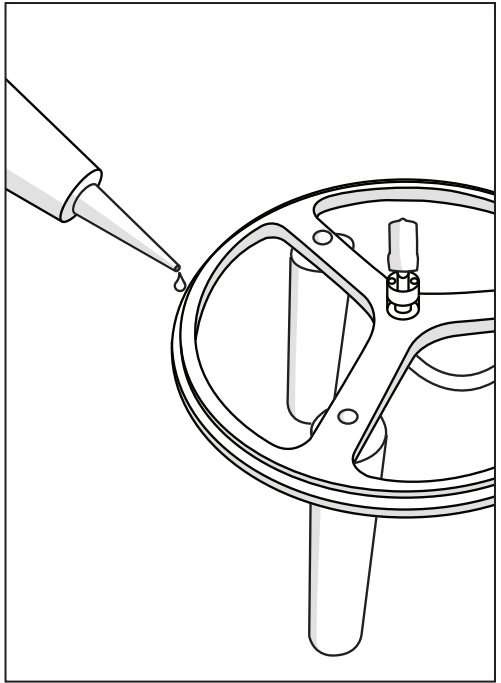
- Wipe surface of lamp shade with a soft, damp sponge or cloth.
- Do not use any abrasive cleaning tools such as steel wool, scouring sponges or stiff brushes.
- Never use strong cleaning agents such as white spirit, turpentine, household glass cleaner or cellulose thinners.
- Only wipe the inside of the shade with a soft, damp cloth or feather duster.
- Wooden legs are untreated and can be waxed, soap treated or oiled.

## Safety Precautions:

- Dispose of plastic bag from packaging and do not allow children to play with it.
- Keep product well out of children's reach.
- The lamp is only intended for interior use.
- Lamp exterior gets hot after prolonged use.
- Do not attempt installation of product if you are not competent to do so yourself.
- Consult a professionally qualified electrician if in any doubt.
- Do not dismantle the diffuser.

# 01.

Use the included tube of glue on the edge of the shade stand, to permanently attach the glass shade.



# 02.

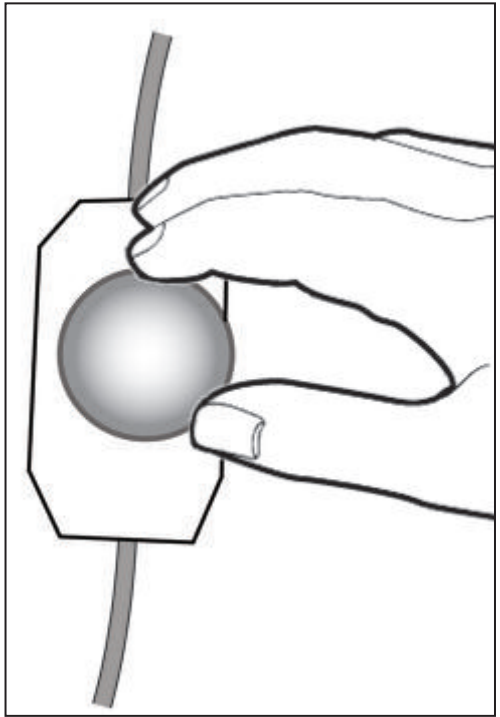
Insert a G9 40W halogen bulb in the light holder and mount the glass shade onto the stand.



# 03.

Insert the plug into a wall socket and use the dimmer switch to turn the light on and off. Rotating the wheel switch on the dimmer will regulate the brightness of the lamp.

**Note:** It is important to be aware of the lamps placement to avoid tripping over the cable.



CE □ F IP20

**& tradition<sup>®</sup>**  
COPENHAGEN

KONGEVEJEN 2. DK-3480 FREDENSBORG.

T. +45 39200233 F.+45 39200256

INFO@ANDTRADITION.DK WWW.ANDTRADITION.COM