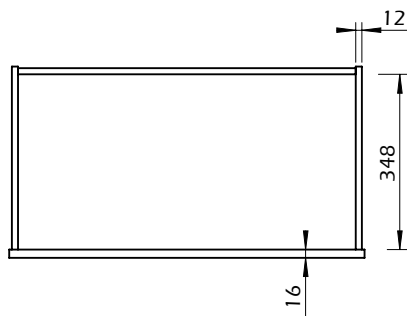
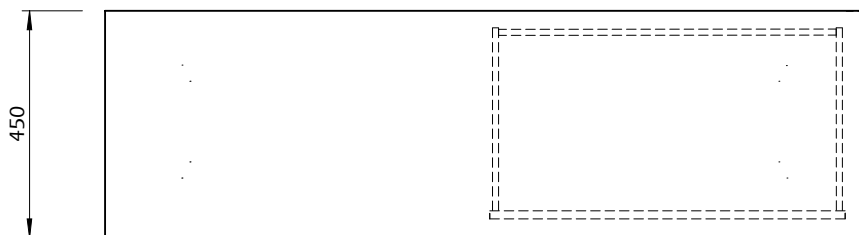
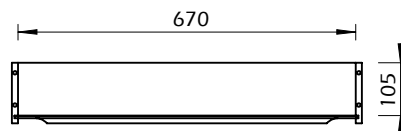
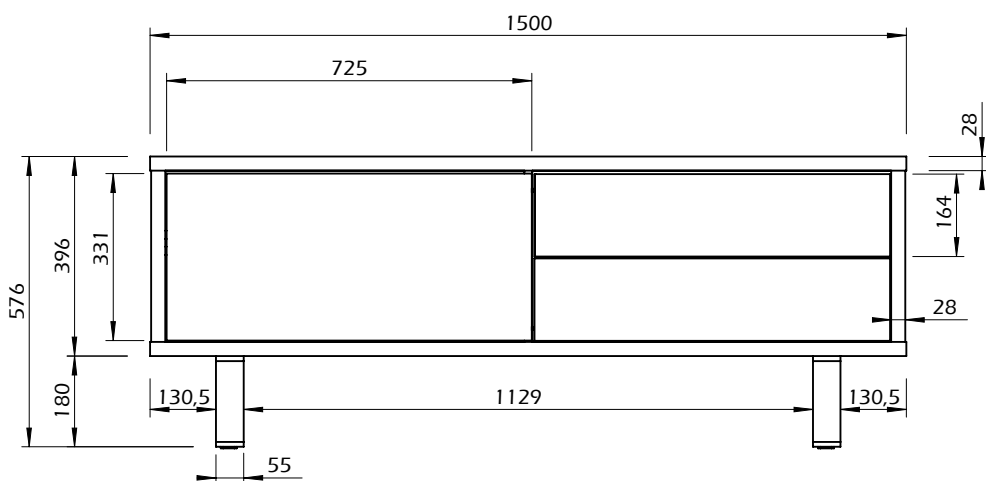
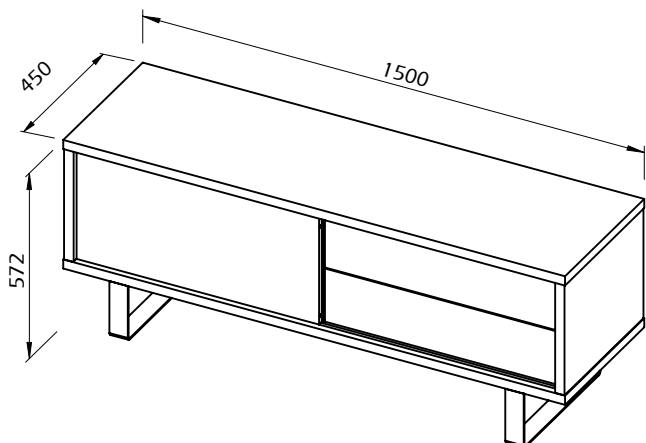


# Technical Information

## NILO TV



30min



35kg